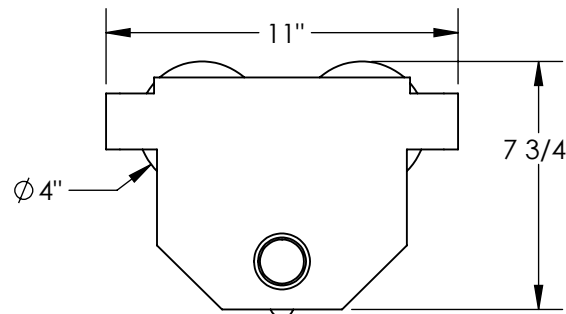
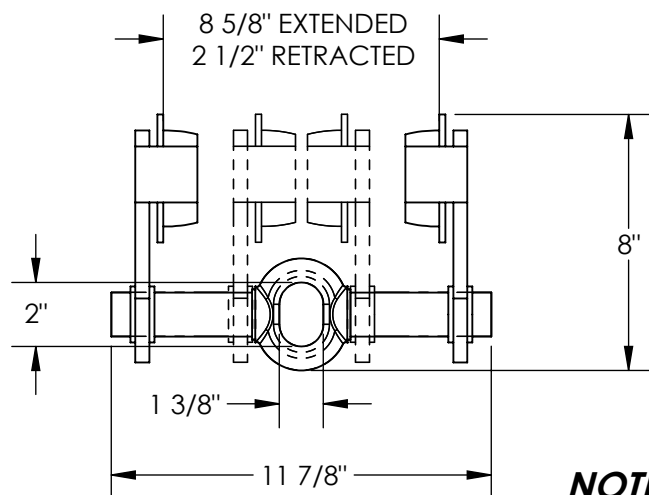
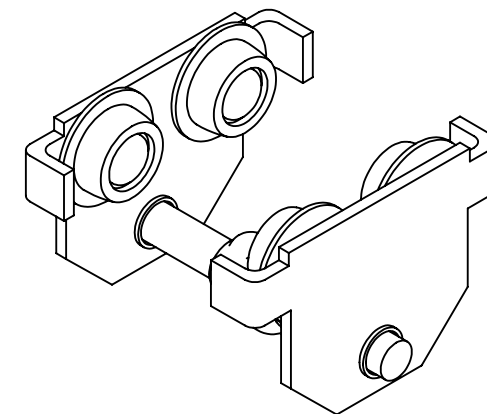
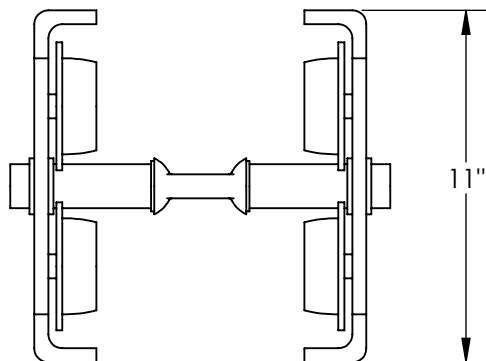


PUSH EYE MANUAL TROLLEY- E-MT-4

APPROX WEIGHT: 30.95 lbs.
DOES NOT INCLUDE WEIGHT OF POWER OR PACKAGING!!!

*** ANY ADDITIONS, DELETIONS, OR OMISSIONS MUST BE CORRECTED ON THIS DRAWING AS THIS DRAWING WILL BE CONSIDERED ALL INCLUSIVE ***

ALL GRAPHICS PROVIDED ARE FOR REFERENCE ONLY. IF CERTAIN DIMENSIONS ARE CRITICAL PLEASE VERIFY THOSE DIMENSIONS WITH YOUR SALESPERSON



DIMENSION TOLERANCE $\pm 1/4"$

NOTE:
CAN BE USED ON S, H, W, & M
TYPE I-BEAMS

STANDARD FEATURES

- MODEL NUMBER IS E-MT-4
- OVERALL WIDTH: 11 7/8"
- OVERALL LENGTH: 11"
- OVERALL HEIGHT: 7 3/4"
- PUSH LOW PROFILE
- EYE MANUAL TROLLEY
- HEADROOM: 3"
- FITS FLANGE WIDTH OF 2 1/2" TO 8 5/8"
- UNIFORM CAPACITY: 4,000 LBS
- STEEL CONSTRUCTION WITH PAINTED FINISH
- TROLLEY WIDTH ADJUSTABLE
BY ROTATING CENTER ROD

SPECIAL FEATURES

NONE

APPROVAL

I, THE UNDERSIGNED, AGREE THAT THE PRODUCT AS REPRESENTED SATISFIES DESIGN AND DIMENSION REQUIREMENTS. I ALSO ACKNOWLEDGE MY DUTY TO CONFIRM PRODUCT AND INSTALLATION COMPLIANCE WITH ALL APPLICABLE FEDERAL, STATE AND LOCAL REGULATIONS AND STANDARDS.

ANY MODIFIED UNITS ARE NON-RETURNABLE

[] As drawn [] As marked

Signed: _____ Date: _____

Printed Name: _____

LEAD TIME WILL START UPON RECEIPT OF SIGNED APPROVAL DRAWING

FOR INTERNAL USE ONLY PROJECT SIGN OFF	
SALES	
ENG.	
FAB.	
POWER	

DISTRIBUTOR'S NAME:		P.O.#
VESTIL MANUFACTURING		X
W.O.#		X
DRAWN BY: WHR	DATE: 5/30/12	SALES: X
REFERENCE: X	SCALE: 1:6	FILE NAME:
QUOTED LEAD TIME: X	QUOTE # X	30-007-256